



# Miniature 90° Peel Fixture

## Catalog Number 2820-034

### Features

- Precision construction
- Maintains a constant 90° peel angle
- Machine load measurement system measures force to provide a direct measure of bond strength
- Peel stroke: 180 mm (7.1 in)
- Maximum specimen width: 70 mm (2.8 in)
- Standard fittings to a wide range of Instron® testing machines including the 5548 and 5848 Microtesters

### Description

The 90° constant angle peel test is used to measure the bond strength of laminated films and coatings.

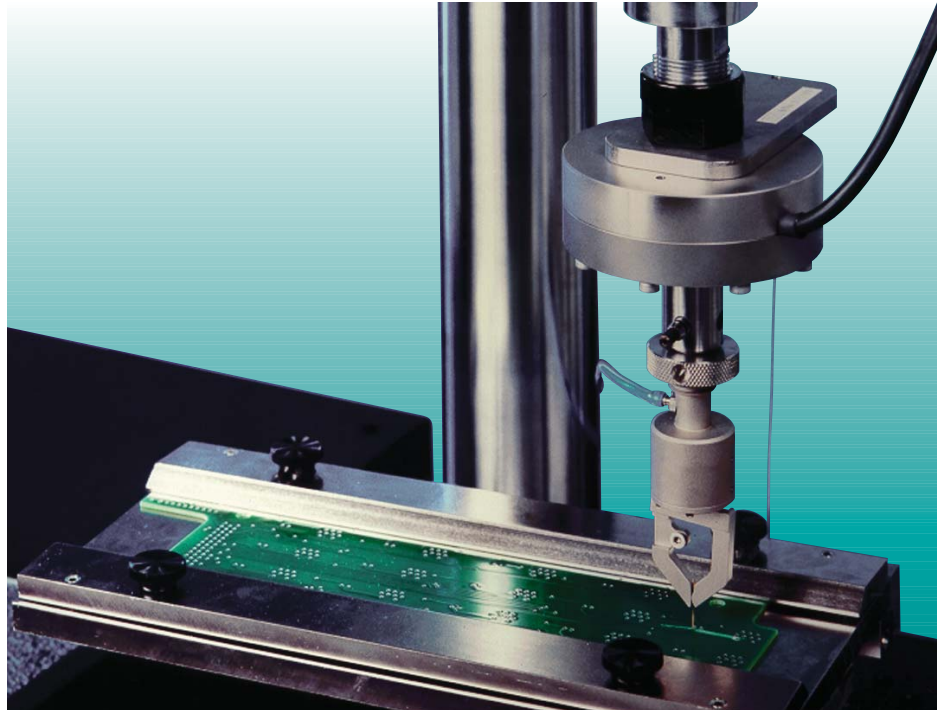
The 2820-034 90° peel fixture is suitable for peel testing of a wide range of laminated materials and components including copper runners on printed circuit boards, thin film coatings, adhesive tapes and other bonded structures.

### Principle of Operation

The fixture incorporates a moving table which is coupled to the crosshead or actuator (Instron Microtester) of the materials testing machine through a cable and pulley. As the crosshead (or actuator) is driven in the tensile direction the cable pulls the table laterally to maintain a constant 90° peel angle throughout the test. This method prevents the exertion of outside forces on the sample.

The force required to peel the specimen is measured by the machine load measurement system providing a direct measure of bond strength.

The substrate or base of the test sample is clamped to the moving table via a set of clamps. The distance between the clamps is variable from zero separation and the maximum specimen width is 70 mm (2.8 in).



▲ 90° Peel fixture on Microtester  
Note: Upper grip is not included

### Application Range

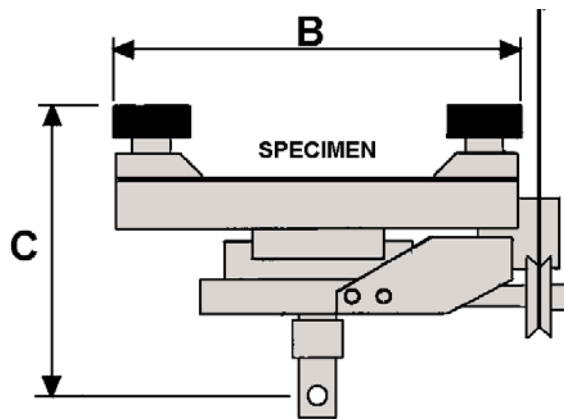
- Copper runners on printed circuit boards
- Thin films and coatings
- Adhesive tapes and packaging

# Miniature 90° Peel Fixture

Catalog Number 2820-034

## General Specifications

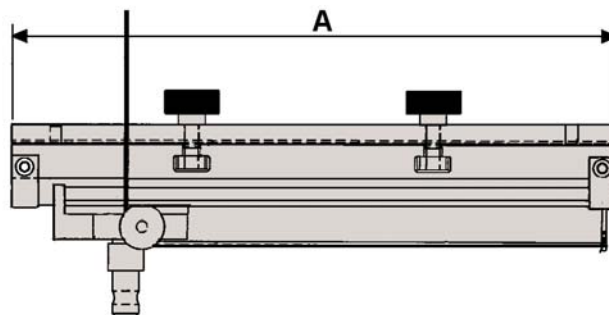
<b>Catalog Number</b>	2620-034
<b>Peel Stroke</b>	180 mm (7.1 in)
<b>Maximum Specimen Width</b>	70 mm (2.8 in)
<b>MECHANICAL CONNECTION</b>	
<b>Upper End Fitting</b>	6 mm (0.24in) clevis pin (Type Om)
<b>Lower End Fitting</b>	6 mm (0.24in) clevis pin (Type Om)
<b>Temperature Range</b>	Ambient temperature only
<b>DIMENSIONS</b>	
<b>Length (A)</b>	270 mm (10.6 in)
<b>Width (B)</b>	128 mm (5 in)
<b>Height (C)</b>	91 mm (3.6 in)
<b>Weight</b>	3 kg (7 lb)
<b>Compatible Machines</b>	5547, 5548, 5848 Microtesters 3342/3/4/5, 4442/3/4, 5542/3/4, 5842/3/4 Single column systems 3365/6/7/9, 4464/5/6/7/9, 5564/5/6/7/9, 5864/5/6/7/9 Table model systems



▲  
90° Peel Fixture – front view

### Note:

1. Upper grip required



▲  
90° Peel Fixture – side view



### Corporate Headquarters

825 University Avenue, Norwood, Massachusetts 02062-2643, USA  
Tel: +1 800 564 8378 or +1 781 575 5000 Fax: +1 781 575 5725

### Instron Industrial Products

900 Liberty Street, Grove City, PA 16127-9969, USA  
Tel: +1 724 458 9610 Fax: +1 724 478 9614

### European Headquarters

Coronation Road, High Wycombe, Bucks HP12 3SY, United Kingdom  
Tel: +44 1494 464646 Fax: +44 1494 456123

[www.instron.com](http://www.instron.com)

Instron is a registered trademark of Instron Corporation. Other names, logos, icons, and marks identifying Instron products and services referenced herein are trademarks of Instron Corporation and may not be used without the prior written permission of Instron. Other product and company names listed are trademarks or trade names of their respective companies.

Copyright © Instron 2005 All rights reserved.  
All of the specifications shown in this brochure are subject to change without notice.

POD\_2820-034\_rev2\_1005