

HEAVY-DUTY LOAD FRAME SUPPORT TABLE

2910-056

The 2910-056 heavy-duty load frame support table optimizes the performance of tabletop testing systems by providing stability and increased safety. The support table maintains a level working surface, distributes the weight of a dual column electromechanical tabletop load frame, and establishes improved ergonomic conditions for users.

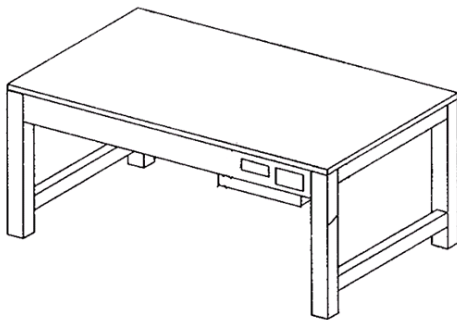
KEY DESIGN FEATURES

- Ergonomic height provides a convenient working height and leg room for comfortable operation when seated
- Adjustable leveling feet ensures precise alignment and even distribution of load up to 679 kg (1500 lb)
- Deep rear, anti-sway stiffener, I-Beam construction, and rigid support plates
- Retractable writing surface
- Fits all dual column electromechanical tabletop frames, including extra height and extra wide versions
- Cool-white plastic laminate top with black painted metal frame



SPECIFICATIONS

Height (adjustable)	mm	635 - 813
	in	25 - 32
Width	mm	1,524
	in	60
Depth	mm	762
	in	30



www.instron.com